

MA McCoy Star Swing Door Latch

Key locking round trim

Features

- Marine-grade materials to prevent corrosion
- Provide high-end security with the Star Key Lock system's three-axis six-pin tumbler design
- Prevent door lift-off with the Star Key Lock hooked locking mechanism that features an active locking deadbolt facing up
- Offer the option of an interior privacy knob with exterior override for non-locking applications

Material

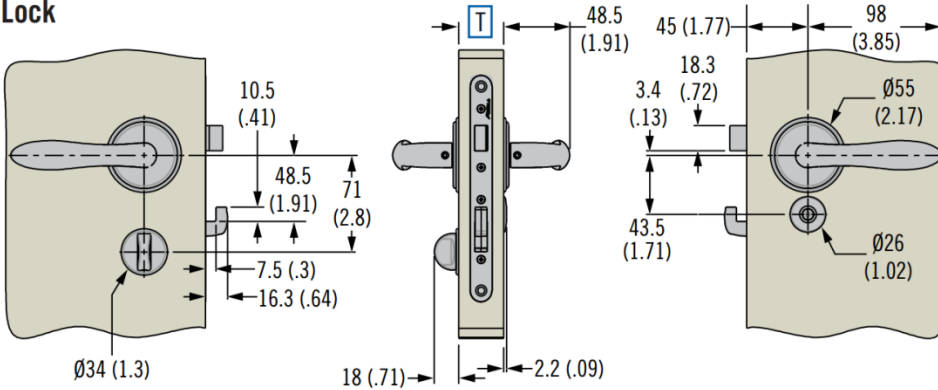
- Lock engine: Brass
- Handles, escutcheons, accents and privacy knob: Brass

Notes

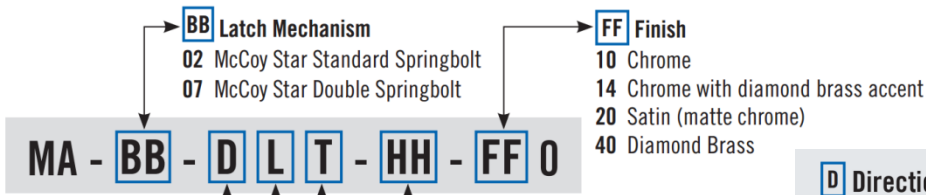
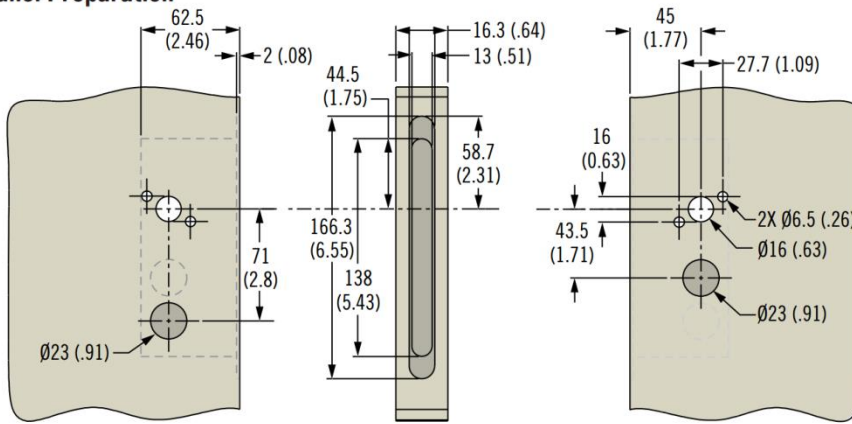
- Strikers sold separately



Lock



Panel Preparation



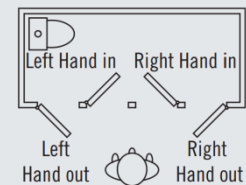
- D** Directional
- 2 Right Out
 - 3 Right In
 - 4 Left Out
 - 5 Left In

- L** Locking Option
- 3 Star key lock (2 Star Keys included)
 - 5 Privacy knob with emergency egress

- T** Door Thickness
- 0 22-30mm (7/8" - 1 3/16")
 - 1 28-37mm (1 1/8" - 1 1/2")
 - 2 36.5-45mm (1 7/16 - 1 3/4")

- HH** Handle
- 01 Nova
 - 02 Portofino

D Directional Door Swing:



MA McCoy Swing Door Latch

Olivari handles

Features

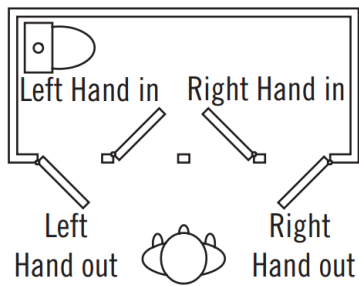
- The award winning Olivari handles can be teamed with the world class McCoy lockset to provide the look and feel that set your design apart



MA - **BB** - **D** **L** **T** - **HHH** - **FF**

HHH Handle

Refer to 3-digit handle code for example
Aster = 174
Sector = 186

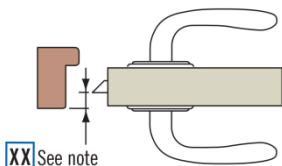


MA McCoy Swing Door Latch

Striker

Material

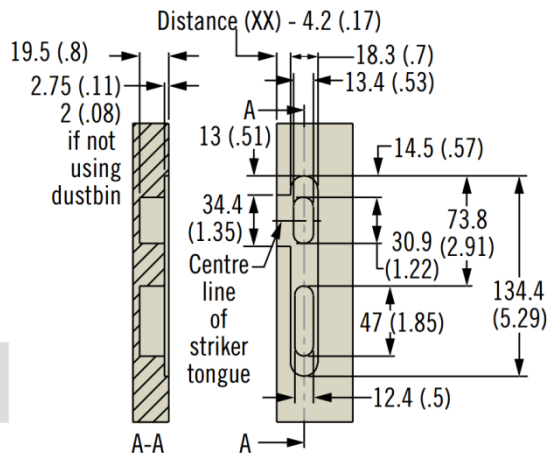
- Brass, chrome plated



XX See note

Note:
Distance **XX** is measured from the edge of the frame to the spring bolt

Panel Preparation



MC - 90 - 4 **XX** - **Y** - **Z** - 10

XX Position

- 05 5mm (3/16")
- 07 7mm (1/4")
- 09 9mm (3/8")
- 13 13mm (1/2")
- 16 16mm (5/8")
- 21 21mm (7/8")

Y Swing

- 1 Right In/Left Out
- 2 Left In/Right Out

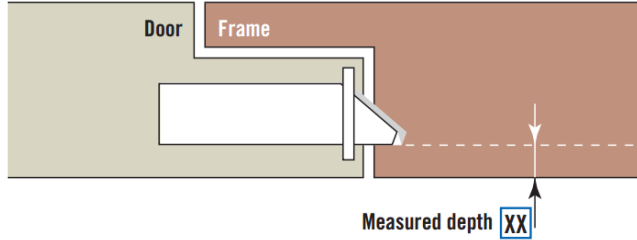
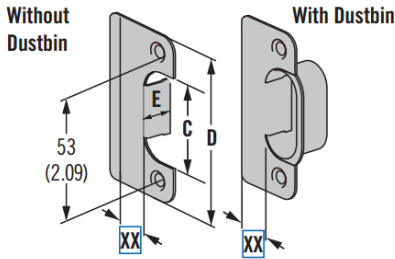
Z Dustbin Option

- 0 No Dustbin
- 1 With Dustbin

MC Striker

Features

- Available in seven different sizes
- Suitable for Offshore, McCoy, Compact, and Omni swing door latches and many door and frame configurations and door thicknesses
- Striker tongue prevents wear from boat vibration
- Optional dustbin hides sawdust in the cut out hole and provides an elegant finish to the frame edge



To find the right striker for your application, measure the distance from the door face to the edge of the springbolt of the latch.

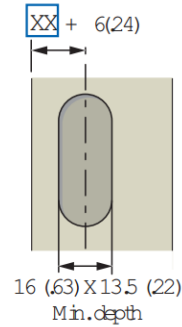
C		D		E	
Metric	Imperial	Metric	Imperial	Metric	Imperial
36	1 7/16	68	2 11/16	13	1/2

MC - 90 - Z XX - FF

Z Dustbin Option
 1 No Dustbin
 2 With Dustbin

XX Position
 03 3mm (7/64") 13 13mm (1/2")
 05 5mm (3/16") 16 16mm (5/8")
 07 7mm (1/4") 21 21mm (7/8")
 09 9mm (3/8")

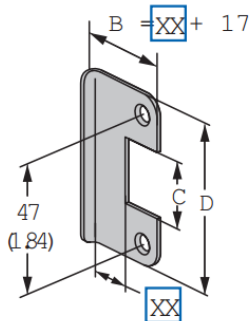
FF Finish
 10 Brass, nickel plated
 24 Stainless steel
 40 Brass



MC Whale Striker

Features

- Suitable for Offshore, McCoy and Compact swing door latches
- Quick and easy installation



MC - 90 - 3 - XX - FF

XX Position
 03 3mm (7/64") 13 13mm (1/2")
 05 5mm (3/16") 16 16mm (5/8")
 07 7mm (1/4") 21 21mm (7/8")
 09 9mm (3/8")

FF Finish
 10 Brass, nickel plated
 40 Brass

C		D	
Metric	Imperial	Metric	Imperial
60	2 3/8	22	7/8